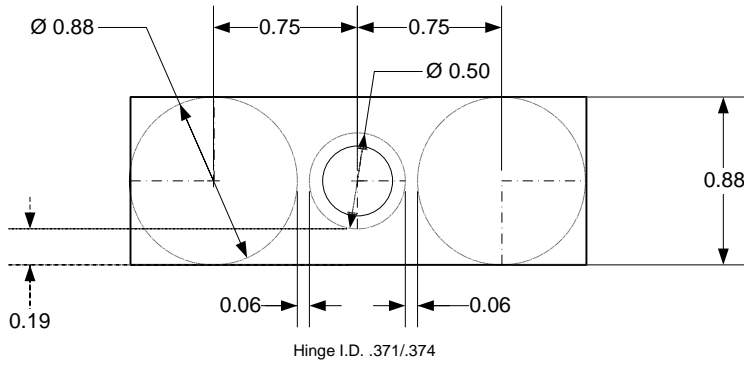


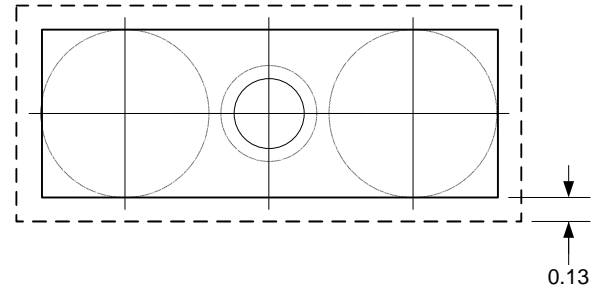
Piper Hinge Layout Guide

This guide is for Piper stabilizers with 7/8" O.D. stab spars and 1/2" O.D. hinge bushings and 3/4" centerline to centerline assumed.

Stabilizers, Lower Fin:



Template for cutout



Upper Fin to Rudder:

