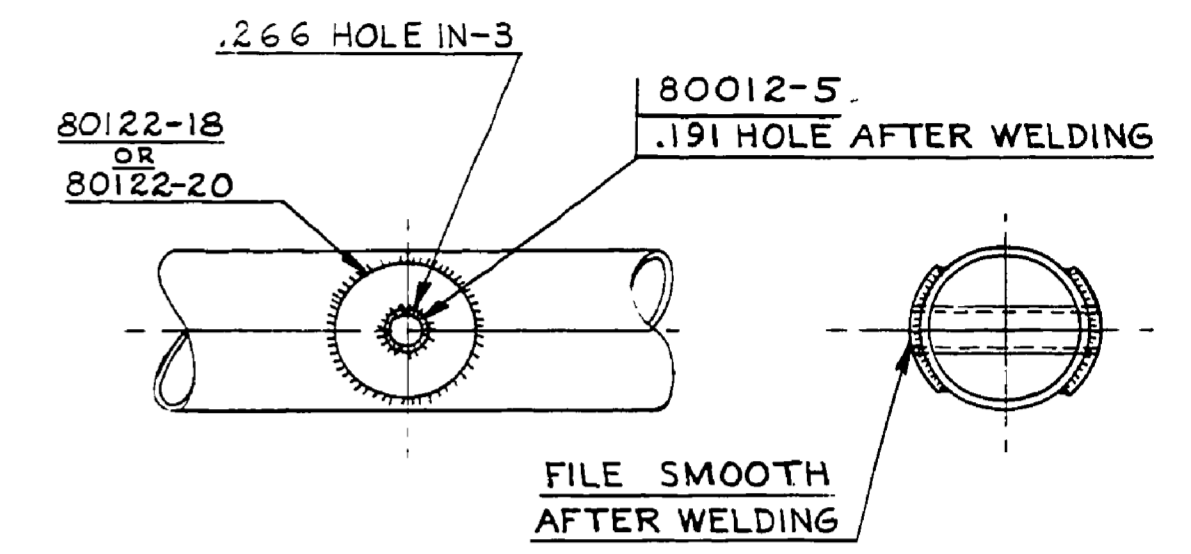
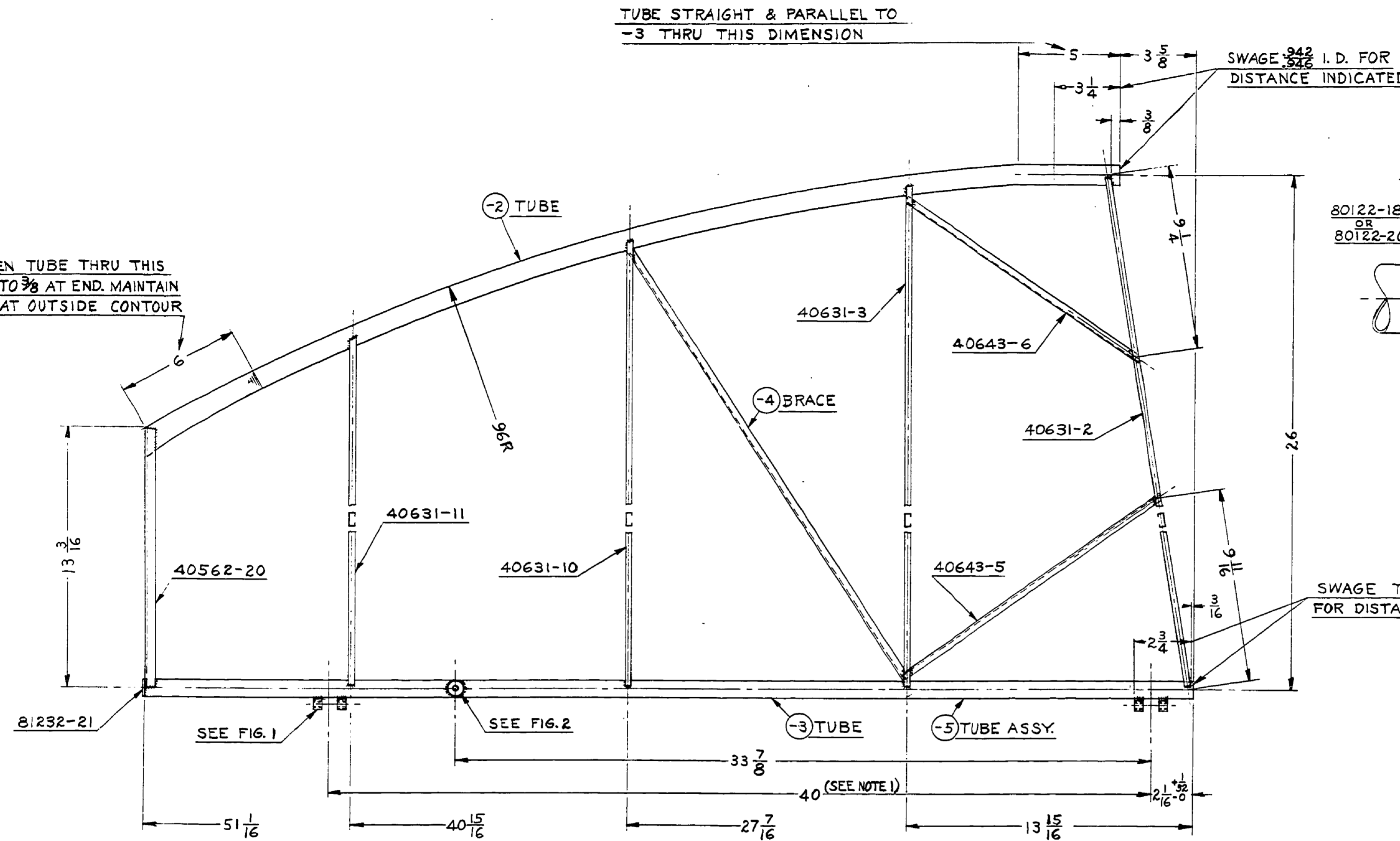


TUBE STRAIGHT & PARALLEL TO
-3 THRU THIS DIMENSION

FLATTEN TUBE THRU THIS
AREA TO 3/8 AT END. MAINTAIN
96 R AT OUTSIDE CONTOUR



SWAGE TO .756 MIN. I.D.
FOR DISTANCE INDICATED

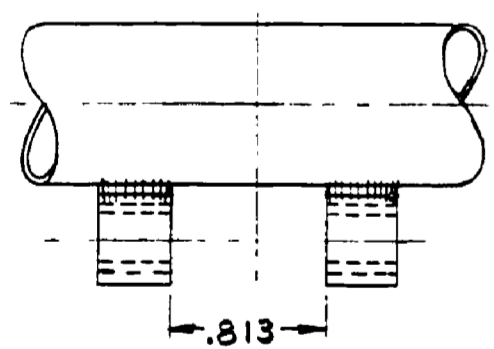
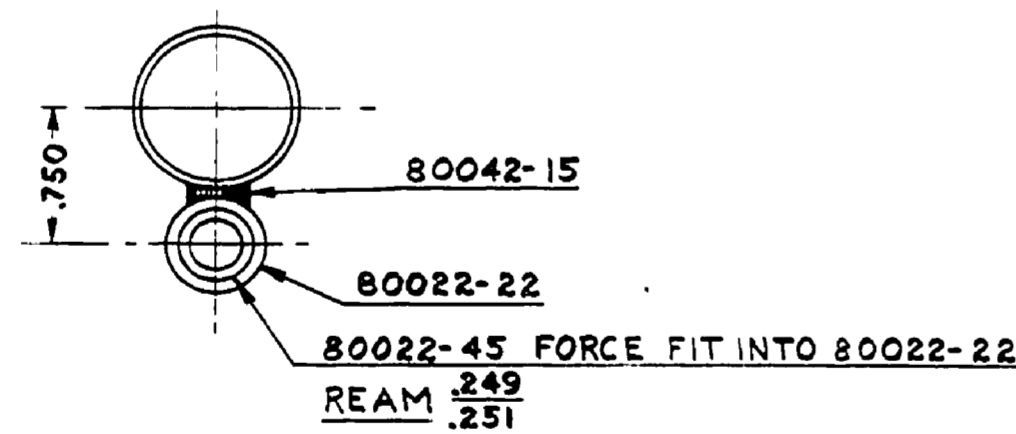


FIG. 1
HINGE DETAIL
FULL SIZE



NOTE:
1. HINGE CENTERS TO COINCIDE
WITH THOSE ON ELEVATOR.

QTY	PART NO.	REF.	DESCRIPTION
✓	84501-2		CHANNEL SECTION
✓	81232-21	1	DISC
✓	80122-18	2	WASHER
✓	80122-20		
✓	80042-15	4	PLATE
✓	80022-45	4	
✓	80022-22	4	BUSHING
✓	80012-5	1	
✓	40643-6	1	BRACE
✓	40643-5	1	
✓	40631-11	1	RIB
✓	40631-10	1	
✓	40631-3	1	
✓	40631-2	1	
✓	40562-20	1	
✓	-5	-	TUBE ASSY. CONSISTS OF 1 EA. OF -3 & 80012-5; 2 OF 80122-18 OR 80122-20
✓	-4	1	25 1/2 LONG PIPER SECTION 84501-2
✓	-3	1	3/8 x 1 1/8 x 51 1/8 #1025 STL. TUBE
✓	-2	1	1 1/2 x 1 1/8 x 50 1/2 #130 STL. SEAMLESS TUBE

LET				REVISION				DATE				BY			
<p>THIS DRAWING IS THE PROPERTY OF THE PIPER AIRCRAFT CORP. AND ITS POSSESSION BY UNAUTHORIZED PERSONS SHALL NOT BE CONSTRUED AS PERMISSION TO REPRODUCE FOR SALE, IN WHOLE OR IN PART, ANY DEVICES SHOWN THEREON.</p>															
<p>SCALE 3/4 IN. = 1 FT. & NOTED TOTAL WT.-LBS.</p>															
<p>FINISH-PIPER SPECIFICATION #10</p>															
<p>MANUFACTURING PRACTICES-PIPER SPECIFICATION #9</p>															
<p>STABILIZER ASSEMBLY</p>															
<p>PIPER AIRCRAFT CORP. LOCK HAVEN, PENNA.</p>												<p>C. E. K. J. C. B. 12-23-49 12-27-49</p>		<p>12769</p>	
DRAFTSMAN				CHECKER				STANDARDS							

A764