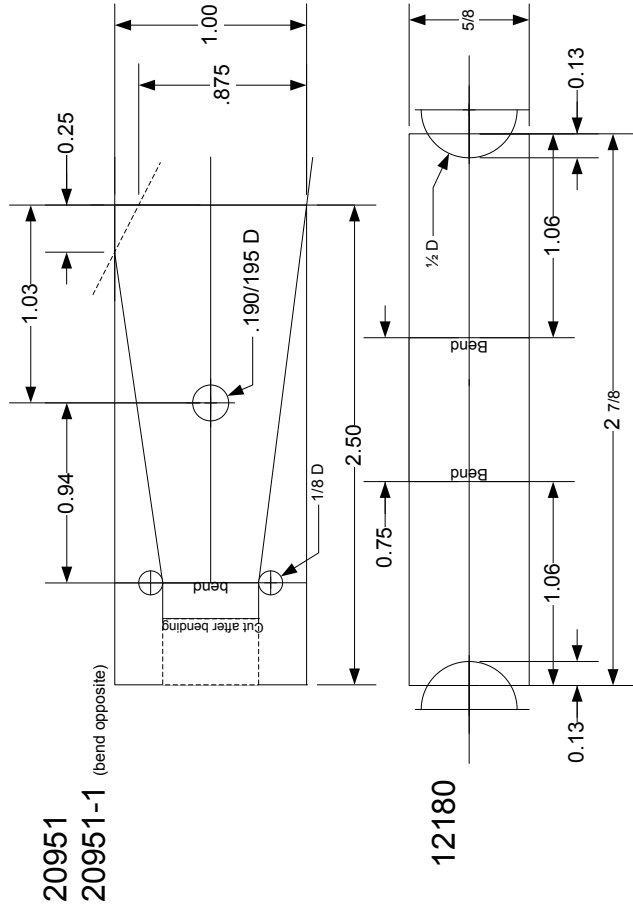
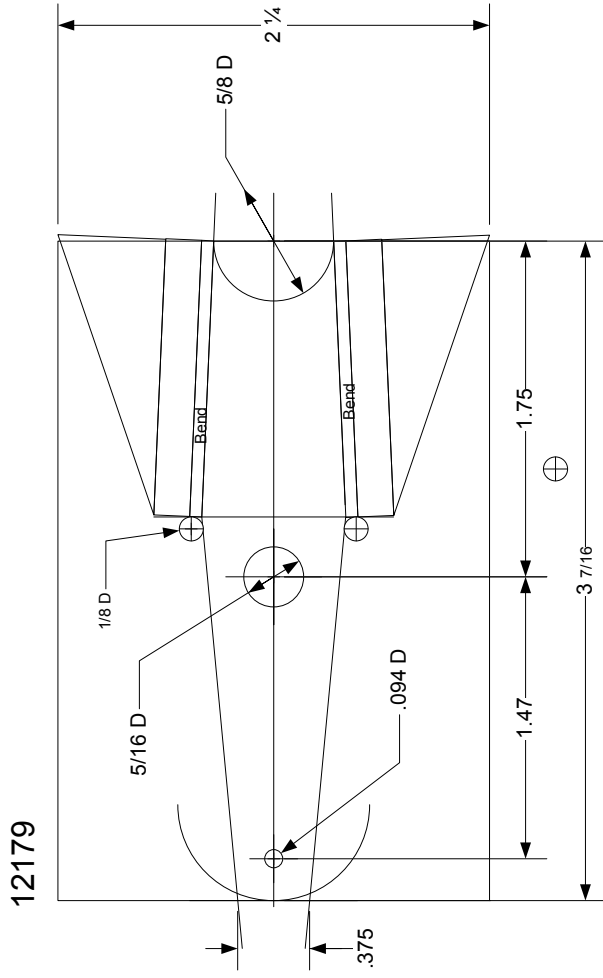
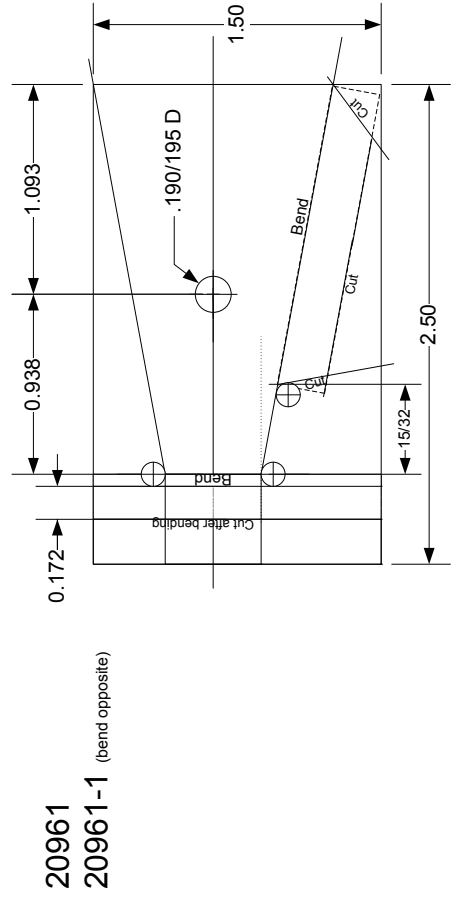
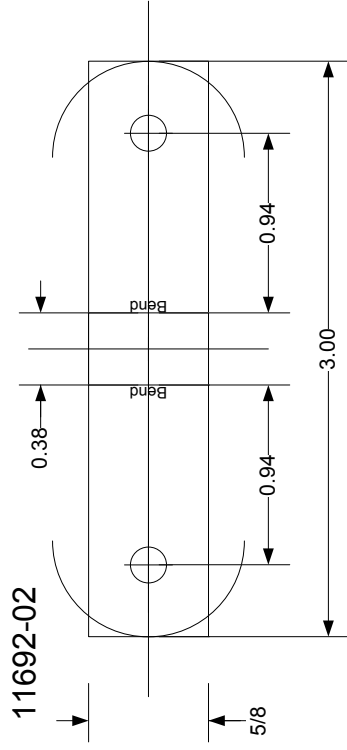
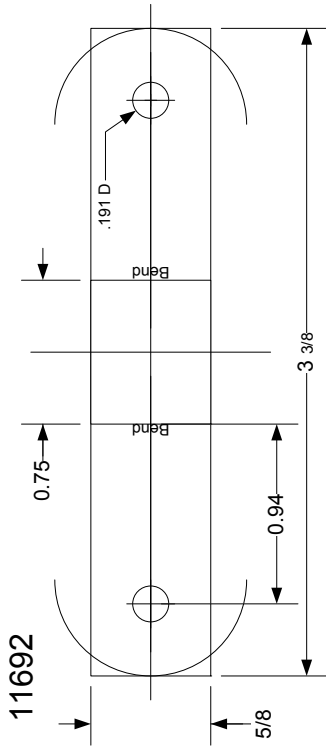
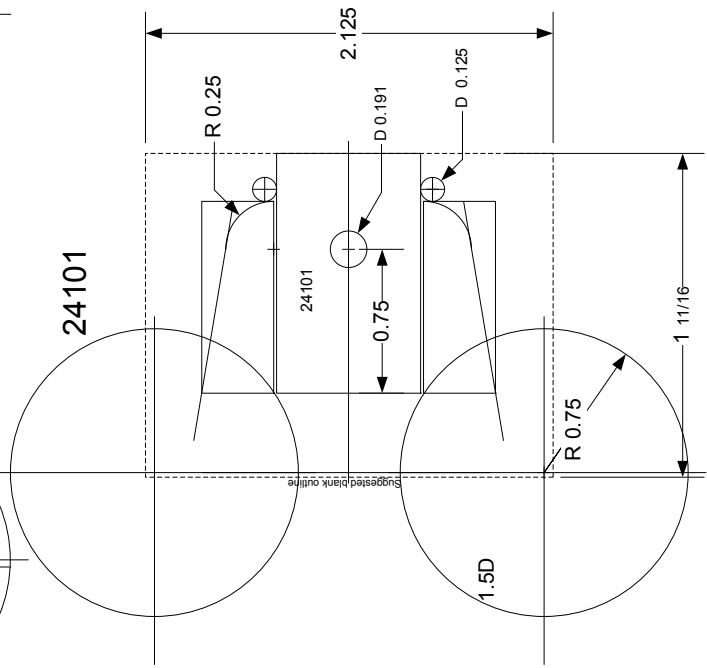
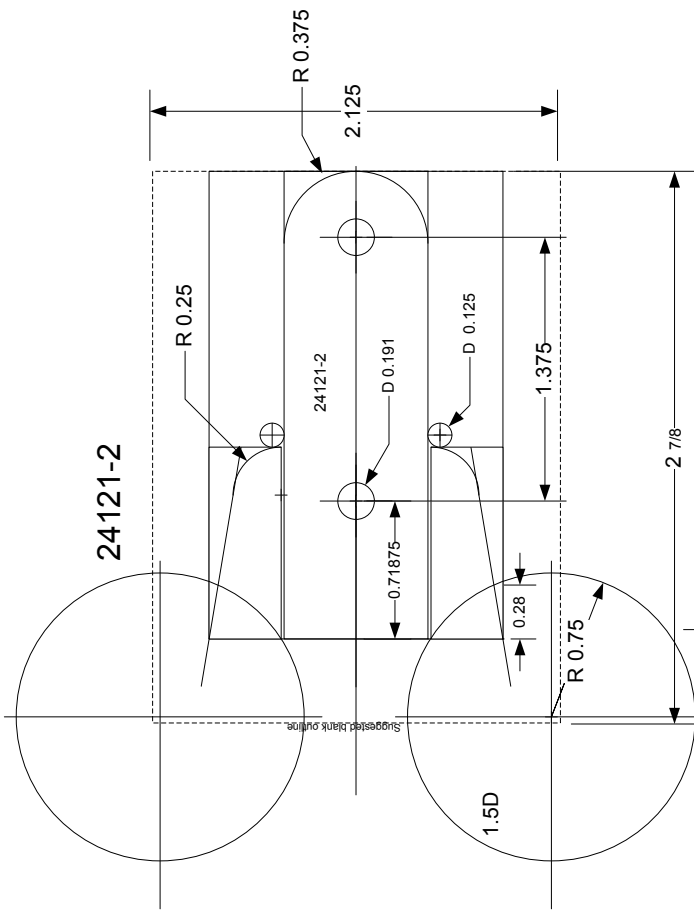
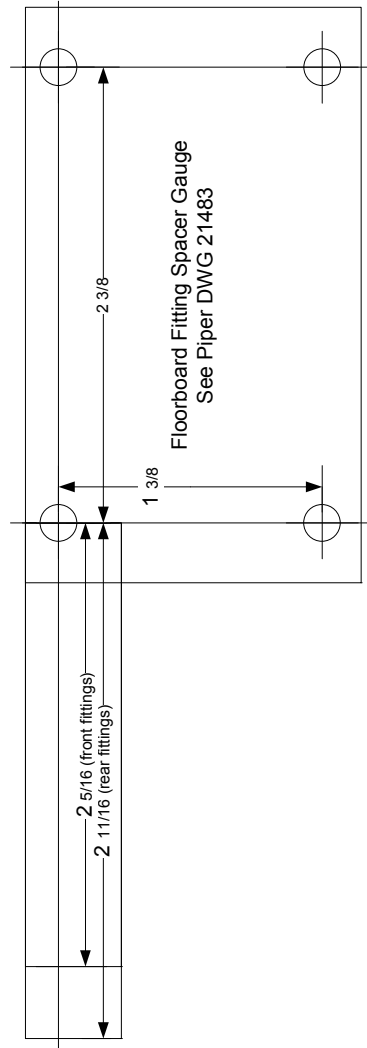
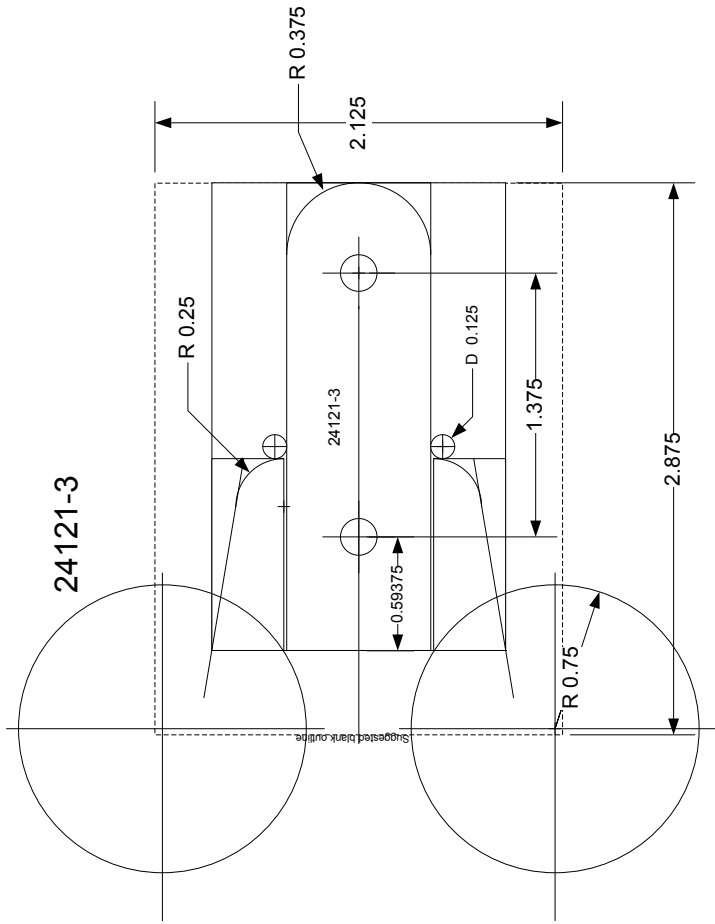


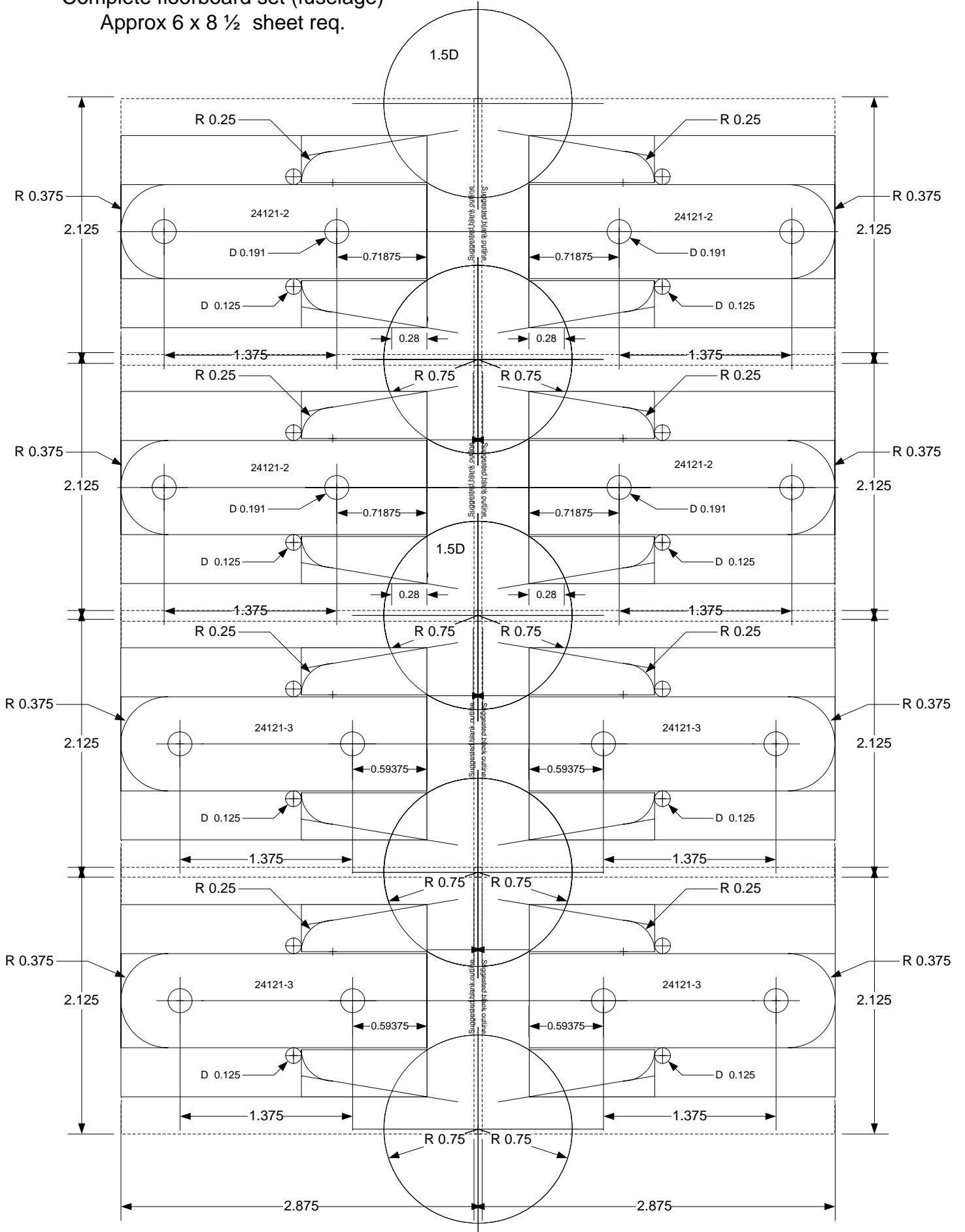
Piper Pulley Brackets Templates



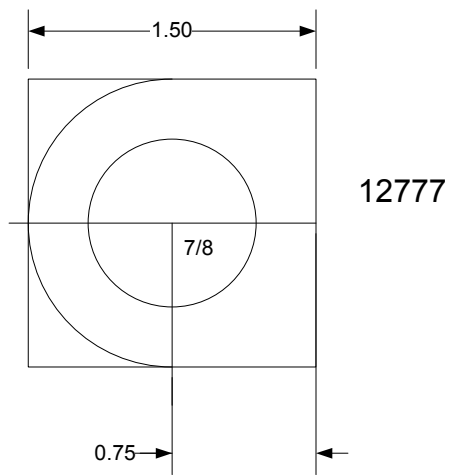
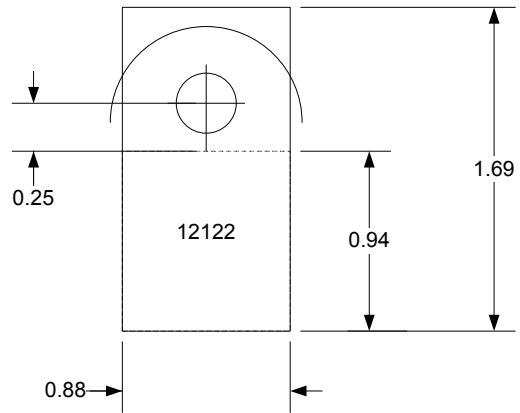
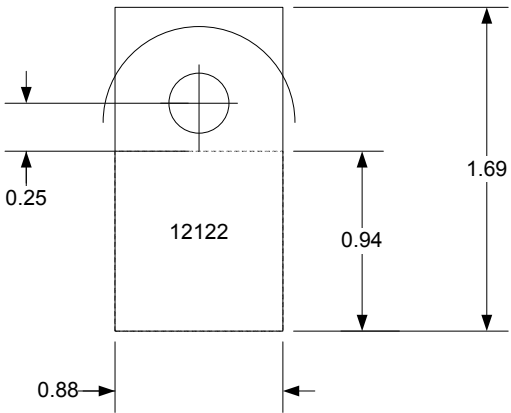
12180



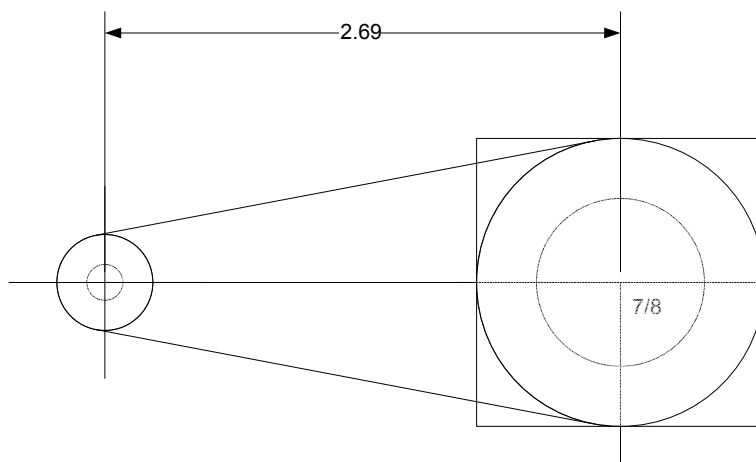
Complete floorboard set (fuselage)
Approx 6 x 8 1/2 sheet req.



Piper 12777 and 12122

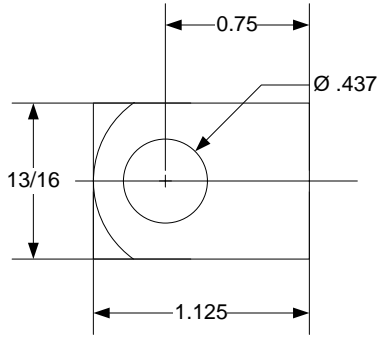


Flap handle pivot to lug gauge

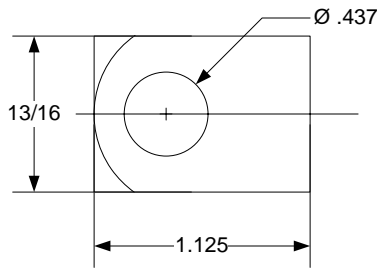


Pulley bracket tabs

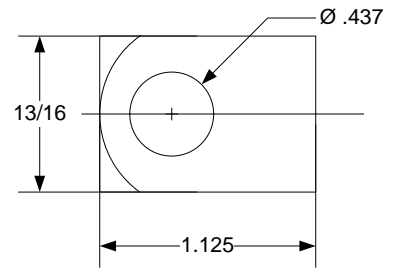
12780



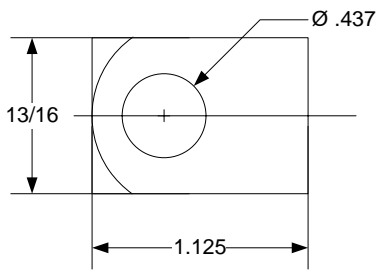
12780



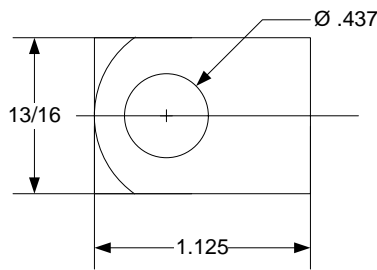
12780



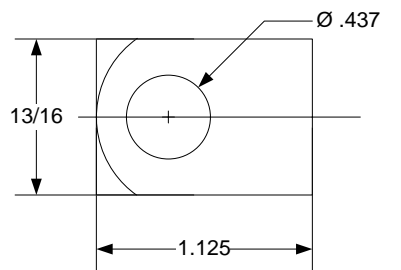
12780



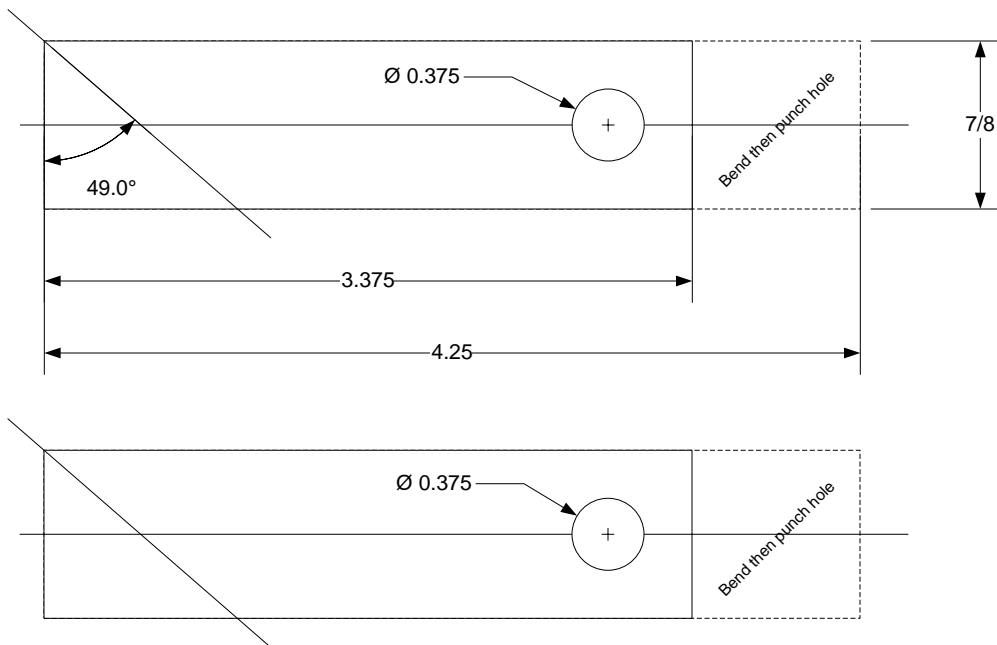
12780



12780

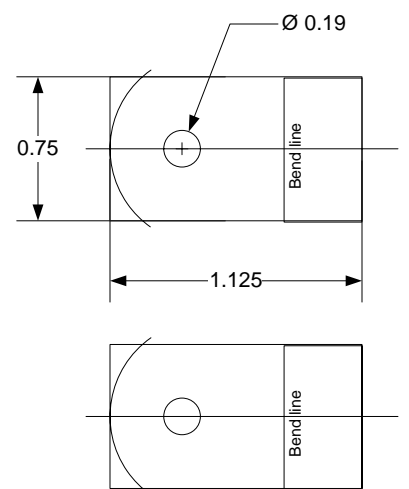


21571 Trim pulley brackets
21571-1 (bend opposite)



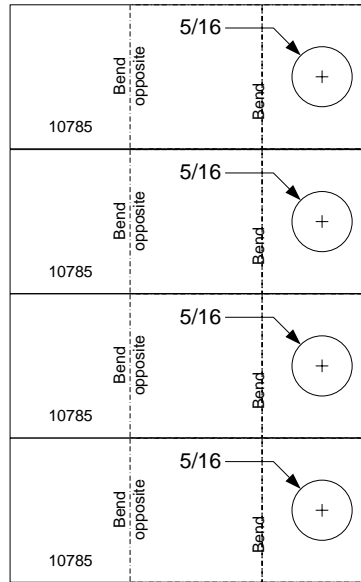
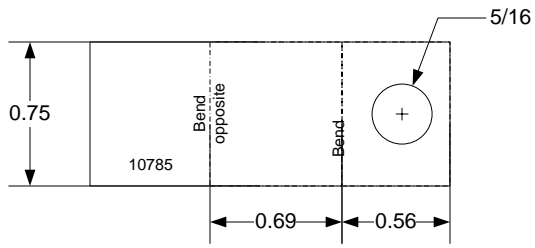
Pulley bracket

12993

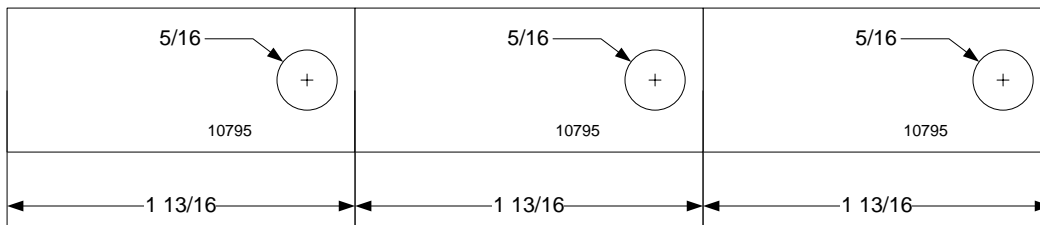


Offset fuselage tabs (left side of fuselage)

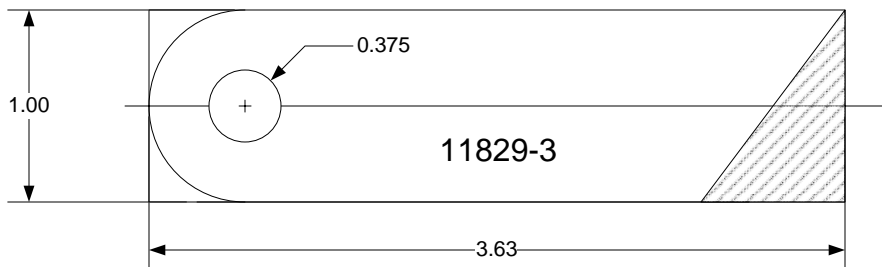
10785



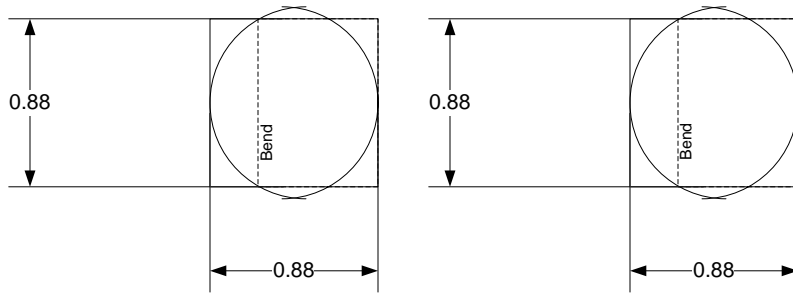
Fuselage tabs (both sides)



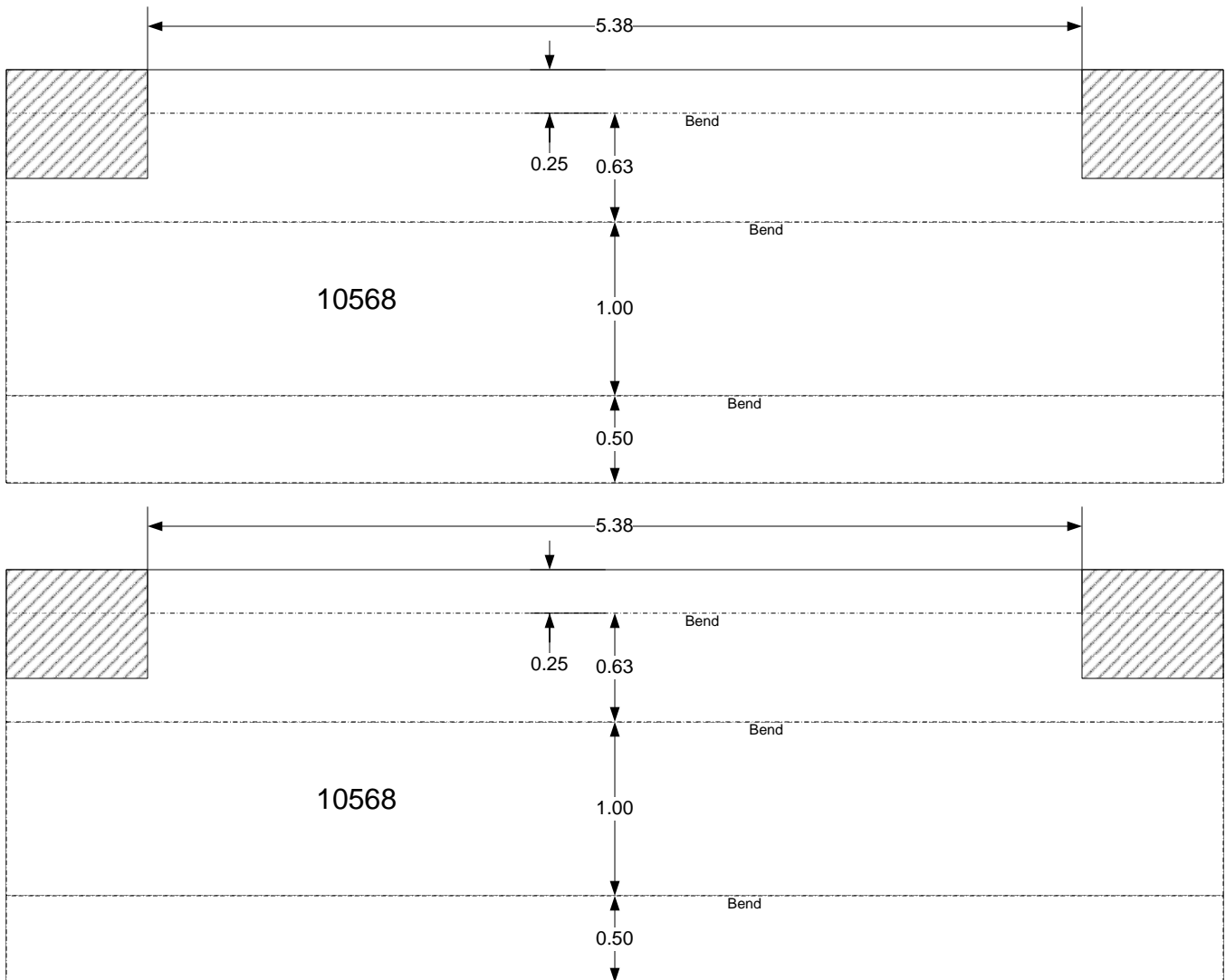
Seatbelt bracket



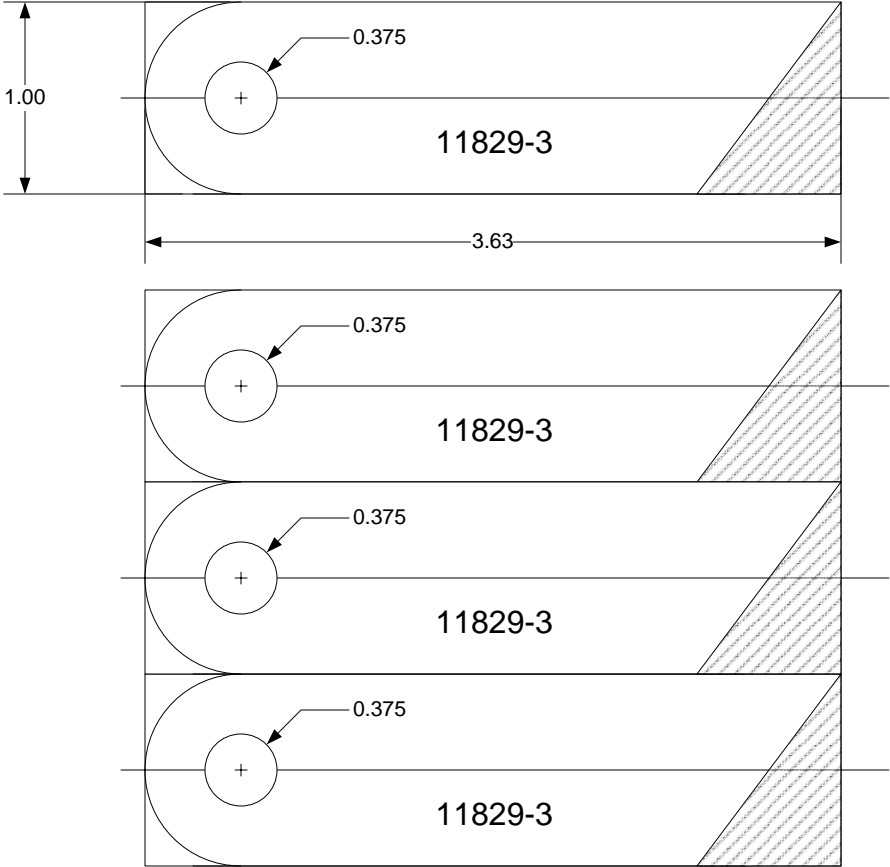
20921 (door stops, however I used a 1/4" hole fender washers (AN970-4) and was much easier)



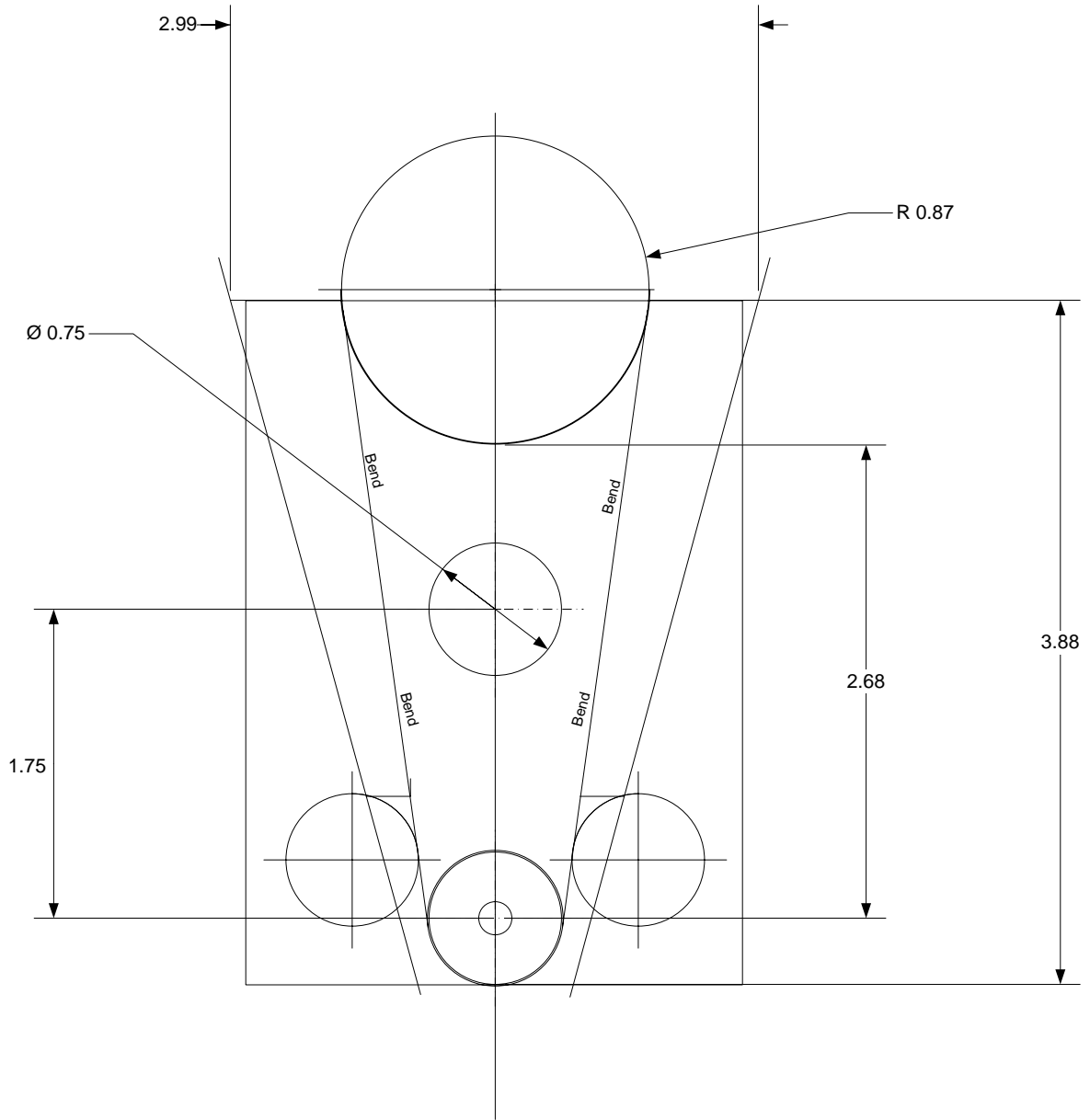
Throttle Guides



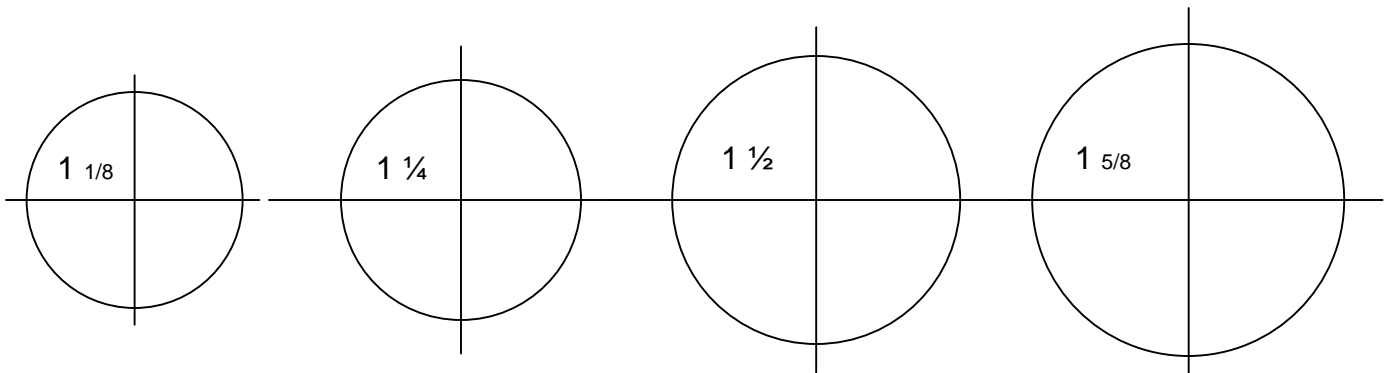
Seatbelt brackets



Piper 40191 Aileron Control Arm (torque tube)

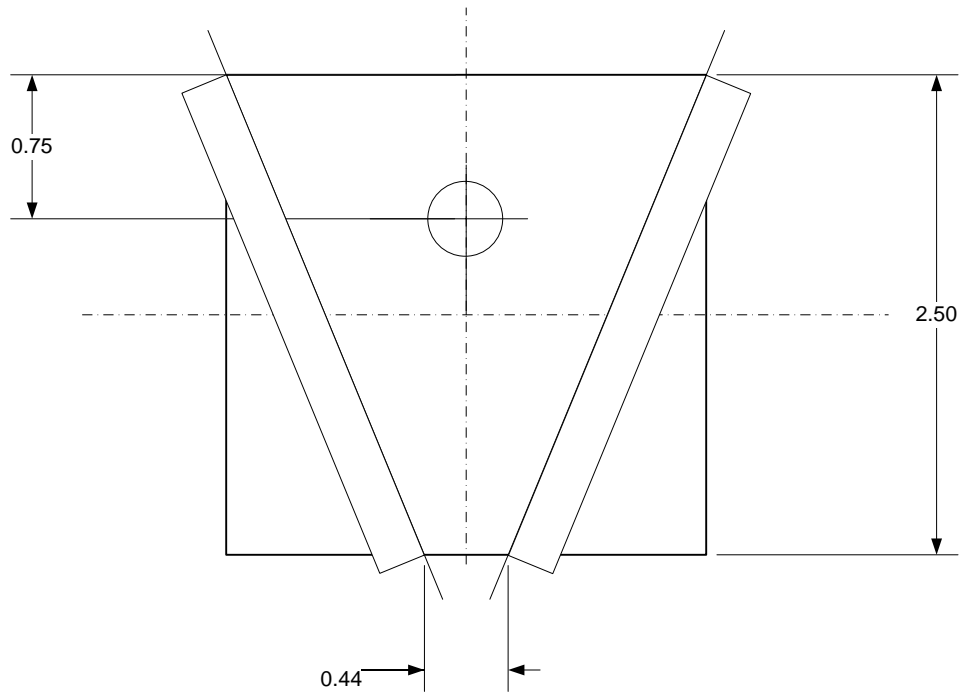


Nifty centerline finder



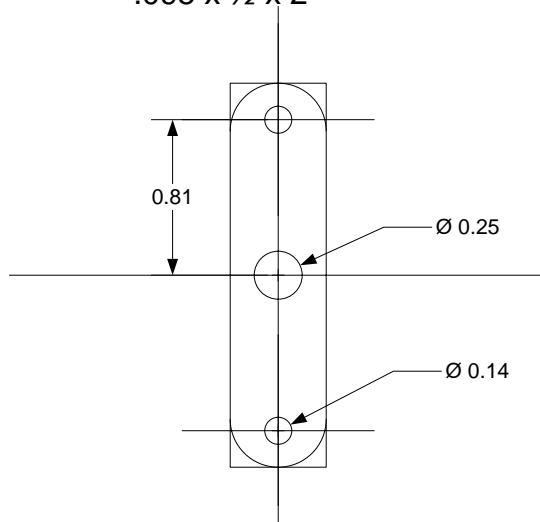
Piper 50161 (Lower door support)

.045 x 2 ½ x 2 ½



Piper 13417 (Door bellcrank)

.095 x ½ x 2



Piper 80292-11
2 3/4 x 3/4 x .062

Control Stick Stub Straps

